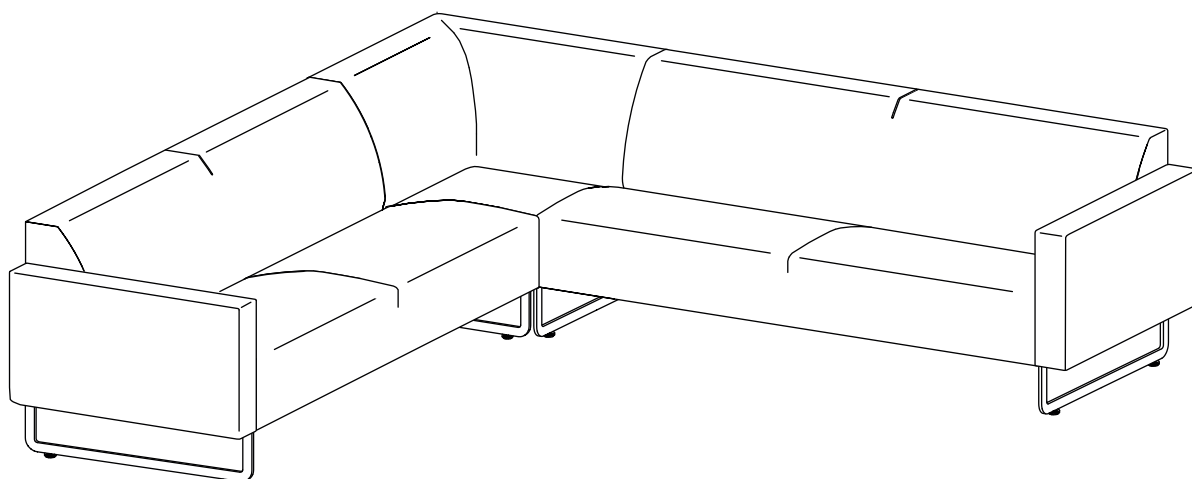


Mare

Assembly guide

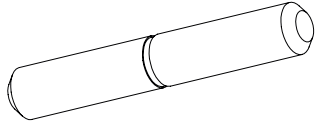
Coupling



Mare | René Holten

Artifort[®]

Mounting materials



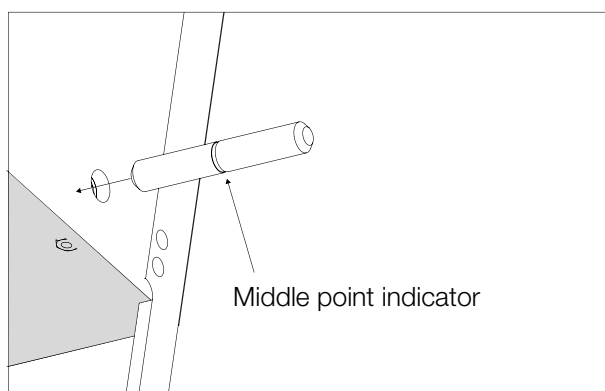
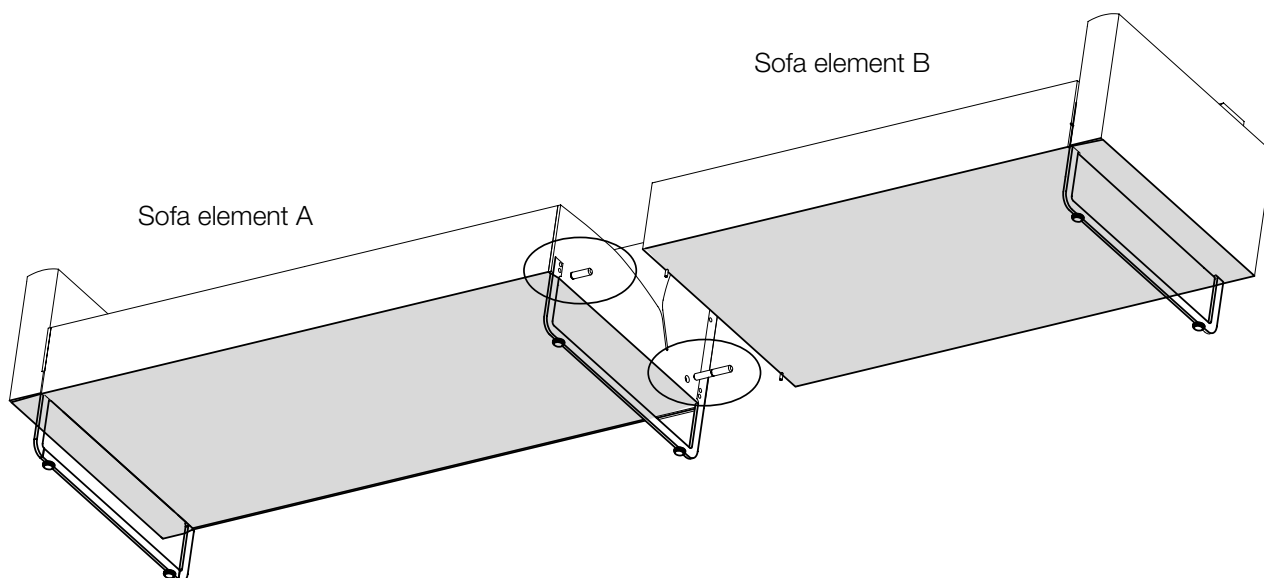
2x Coupling pin



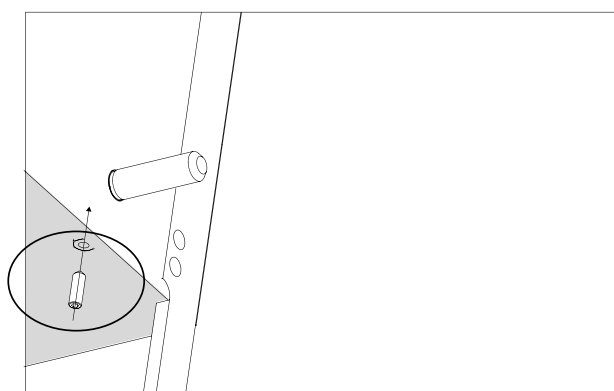
4x Bolts

Sofa modules for coupling

Step 1 - Insert the coupling pins in the front and back side of sofa element A.



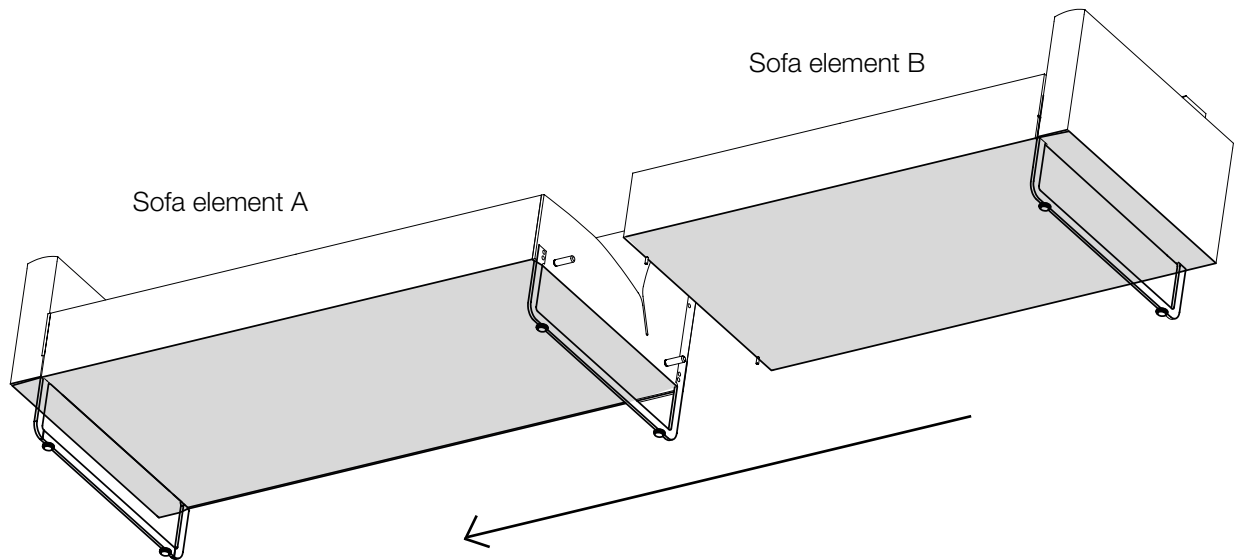
Step 2 - Level the middle point indicator of the pins with the outside fabric.



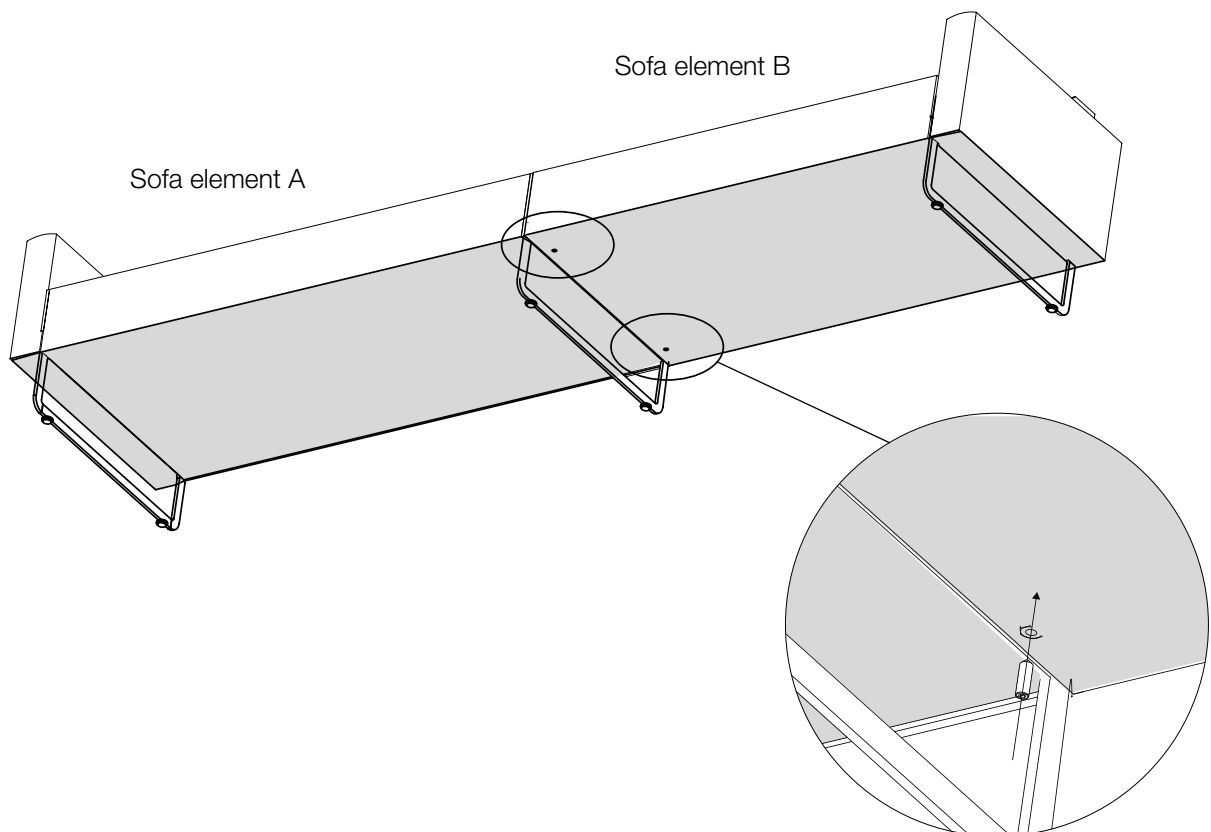
Step 3 - Secure the pins with a bolt. Do this for the front and back side.

Sofa modules for coupling

Step 4 - Move sofa element B onto the pins of sofa element A and push the elements together.



Step 5 - Secure the pins of sofa element B with a bolt. Do this for the front and back side.



Artifort is a Lande Family brand | P.O. Box 115 | 5480 AC Schijndel | The Netherlands
T +31 73 658 0040 | info@artifort.com | www.artifort.com

[f](https://www.facebook.com/weloveartifort) /weloveartifort [t](https://twitter.com/artifort) /artifort [P](https://www.pinterest.com/artifort) /artifort [i](https://www.instagram.com/artifort_furniture) /artifort_furniture [in](https://www.linkedin.com/company/artifort) /company/artifort

Artifort[®]